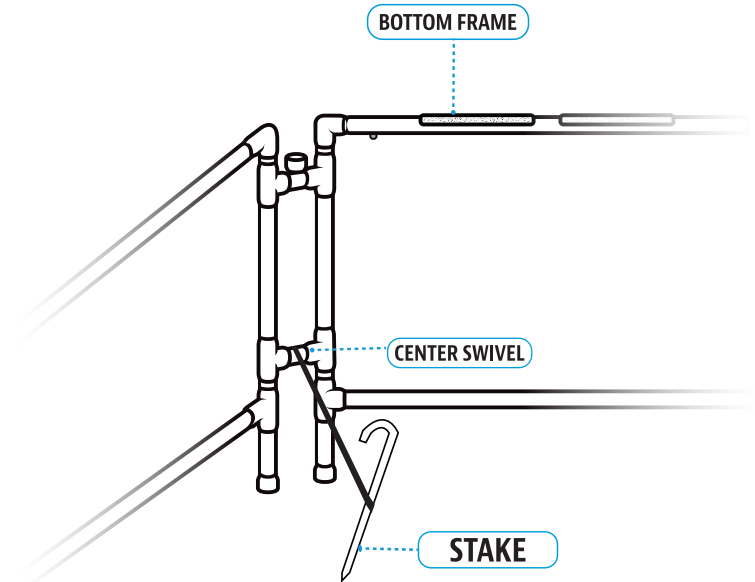
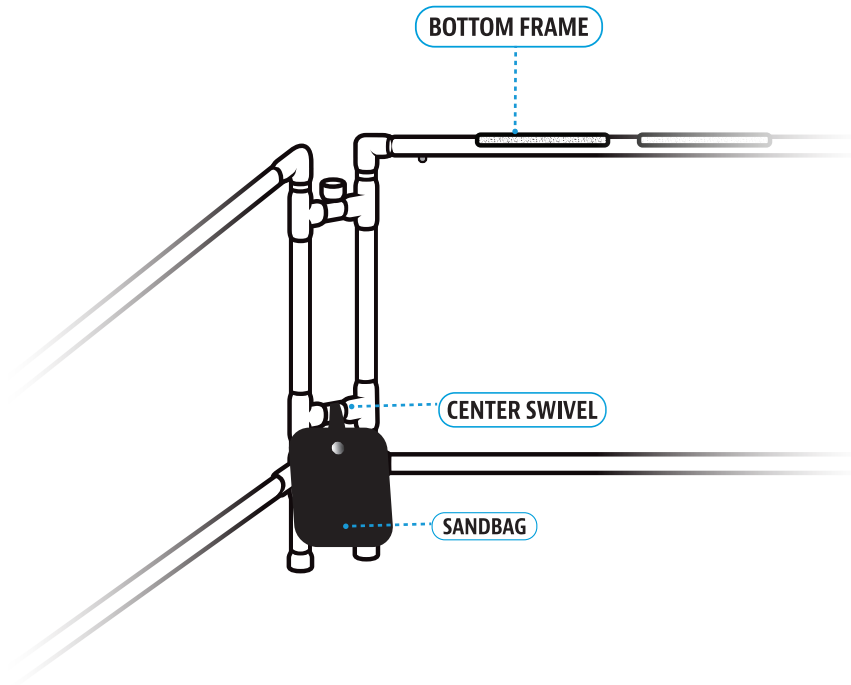


# ▶ SANDBAG & STAKE

## PLACEMENT INSTRUCTIONS



## PLACEMENT ▼

Place center of the Sandbag on the Bottom Frame as shown to the diagram to the left. Center of the Sandbags should be placed on all corner swivels. ( Depending on the Great Gazebo product you own, the amount of swivels on your Bottom Frame may vary.)

Attach Sandbags and Stakes/Tiedowns to the lower swivel on the inside of frame.

(Bottom Frame in diagram is an example and may not match your exact product.)