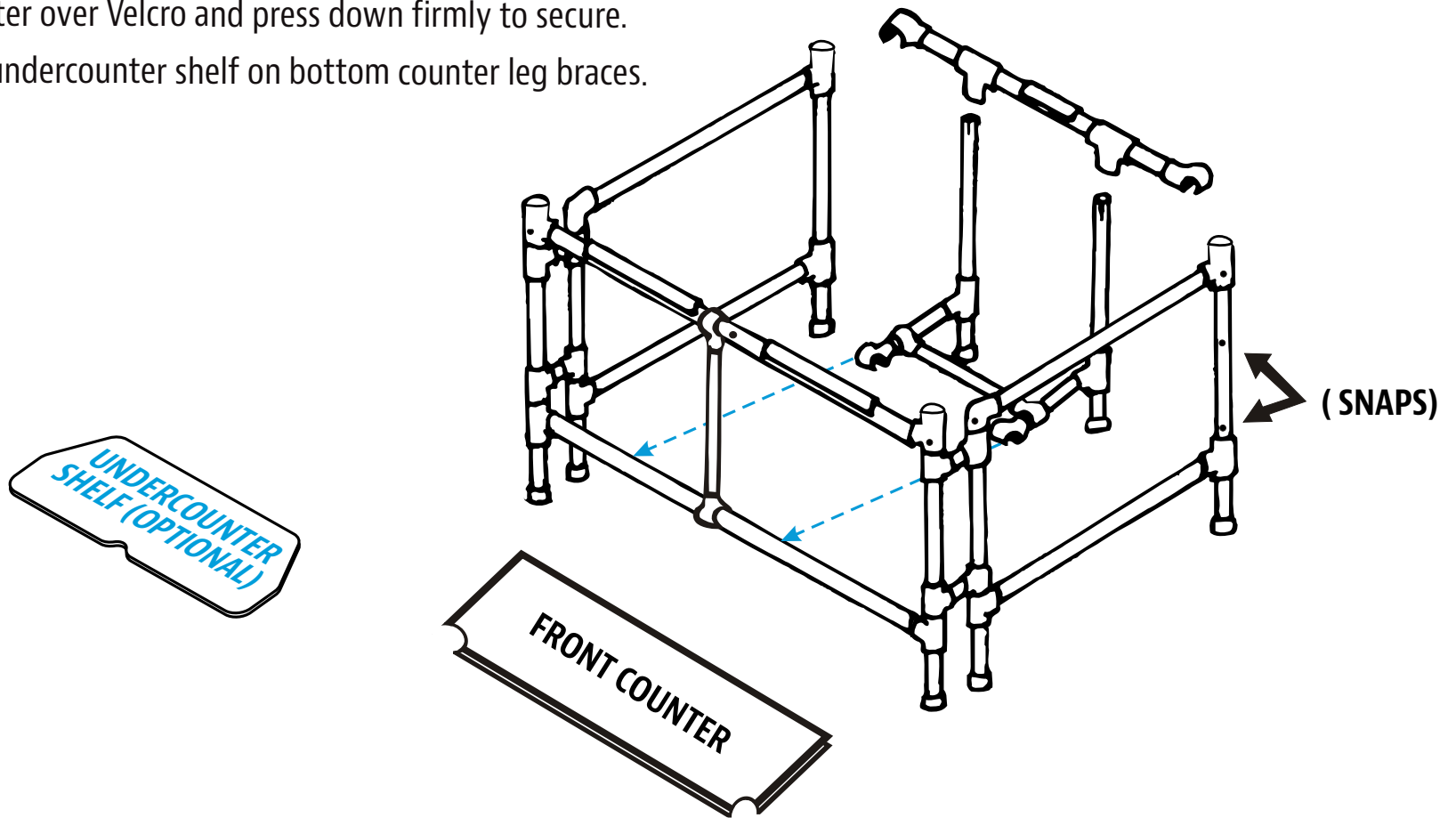


▶ 4 FOOT DEMO

ASSEMBLY INSTRUCTIONS

SETUP ▼

- 1) Position the Bottom Frame into a rectangle with snaps facing outward.
- 2) Snap skirt on, starting at one end.
- 3) Clip counter legs to frame. Attach counter support cross braces.
- 4) Align Front Counter over Velcro and press down firmly to secure.
- 5) Place (optional) undercounter shelf on bottom counter leg braces.



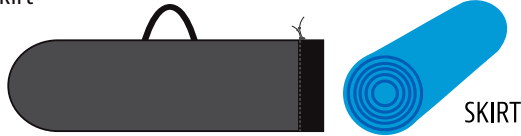
4 FOOT DEMO BOOTH CARRYING CASES & PRODUCT CARE INSTRUCTIONS

▶ PRODUCT CARE INSTRUCTIONS

Thank you for purchasing a Great Gazebo, Inc. product. We have used the highest quality materials and manufacturing standards. To ensure that you obtain the best possible results, please read these instructions thoroughly and save for future reference.

STORAGE & TRANSPORT ▼

Store the vinyl Skirt in the included drawstring bag.



VINYL CARE ▼

WARNING! Do not apply adhesive tape of any kind to the surface of printed vinyl. Doing so will damage the printing and **WILL void the warranty.**

When storing vinyl, make sure it is completely dry to prevent mold and mildew.

Carefully roll top and skirt vinyl (do not wad up) to avoid creases and wrinkles.

Avoid placing heavy items on top of vinyl. Proper care will help the vinyl look good for years.

Clean the outside of the vinyl with soap & water. Vinyl preservatives extend the life of the vinyl. Do not scrub printed custom graphics.

Avoid letting the cloth backing on the vinyl get dirty or stained. If it gets dirty, clean with warm soap and water and let it dry thoroughly before storing.

Do not fold the frame while the skirt is still snapped on. If the vinyl is cold it will be tight when snapping to the frame.

When unsnapping hold near the snap and pull straight. Do not yank or pull from a distance.

PVC FRAME CARE ▼

Clean with soap and water. For stronger stains use a mild abrasive household cleaner such as Clorox Soft Scrub and wipe afterwards with water. Do not use dry abrasive cleaners. This will scratch the PVC finish.

Clean any dirt build-up on the inside of the fittings and outside of the pipe ends. This will make it easier for insertion when assembling and removal when disassembling.

COUNTER & SHELF CARE ▼

Clean with soap and water. For stronger stains use a mild abrasive household cleaner such as Clorox Soft Scrub and wipe afterwards with water.

Do not set items on the under counter shelf that will bulge or spill on the skirt. Center heavy items over the cross brace. Slide the cross brace towards the center legs for maximum support.

OUTDOOR USE ▼

Stakes and tie downs or sandbags are recommended in windy conditions. For heavy winds or wind gusts it is recommended to remove the vinyl skirt.

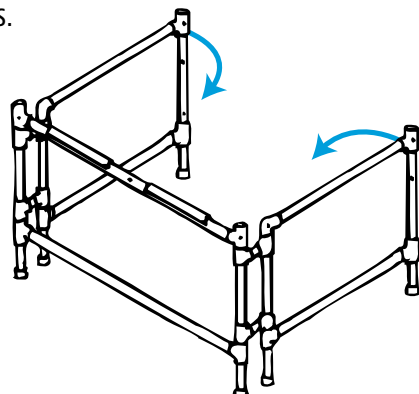
When setting up on an uneven ground or surface make sure that all feet are touching firmly.

Avoid setting up on muddy ground. It will stain the bottom of the 6 Foot skirt.

CONTACT ▼

Please contact The Great Gazebo, Inc. with any questions regarding the assembly or care of your 6 Foot House.

EMAIL » INFO@GREATGAZEBO.COM
PHONE » 800.962.2767 OR 517.625.2011



FOR STORAGE:

Fold either side flat to center and secure with cord around top and bottom rails.

FOLDING FRAME HAS NO CARRYING CASE